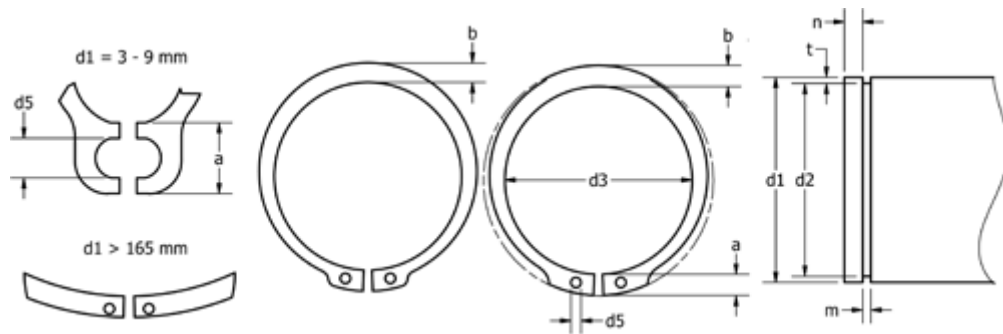


Article number: 01010521
 Description: Retaining ring A 35 DIN 471
 Stainless 411
 Note: Fitted with ZGA pilers

Measures



| | | | | | |
|--------------------|---------|---------------|---------|----------------|--------------|
| a max | = 5.6 | FN kN | = 17.8 | s | = 1.50 |
| AN mm ² | = 107.0 | FRg kN | = 5.55 | t | = 1.00 |
| b | = 3.9 | FR kN | = 30.80 | tol | = -0.25 |
| d1 | = 35 | g | = 2.0 | tol | = -0.06 |
| d2 | = 33.0 | K kN-mm | = 60.10 | tol | = +0,25-0,50 |
| d3 | = 32.2 | m min | = 1.60 | Tong | = ZGA-2 |
| d5 min | = 2.5 | n abl x 1000 | = 16.0 | Weight kg/1000 | = 4.000 |
| Description | = A35 | Nominal drive | = 3.0 | | |